

SINGLE AXIS SENSOR PREMIUM-SERIES

PE-MEMS-X-MU-i-GS60

Electronic inclination sensor with analog output

- Single-axis sensor with programming foil
- Robust aluminum housing with protection class up to IP68
- Optional with additional switching contacts

CE – konform



TECHNICAL DATA

Measuring system	MEMS	Signal output	4–20 mA
Housing design	GS60	Load current	max. 600 Ω
Housing material	aluminium	Resolution	14 bit
Housing size	60 x 60 mm	Supply	18–33 V DC
Housing high	30 mm	Current consumption	<80 mA
IP code of housing up to	up to zu IP68	Temperature range	-30 °C up to +70 °C
Connection*	plug / cable	Temperature coefficient	0.05 ° / 10 K
Weight	200 g	EMV*	ISO 13766-1/-2, EN 61000-6-2/-5
Data logging	accelerometer	Vibration*	5–200 Hz, 4 g
Tilt angle	max. 0°–360°	Shock*	50 g, 6 ms
Angular accuracy	±0.2°		
Version	single		

*Depending on customer specifications.

Article master number 1885S12

Typical APPLICATION AREAS



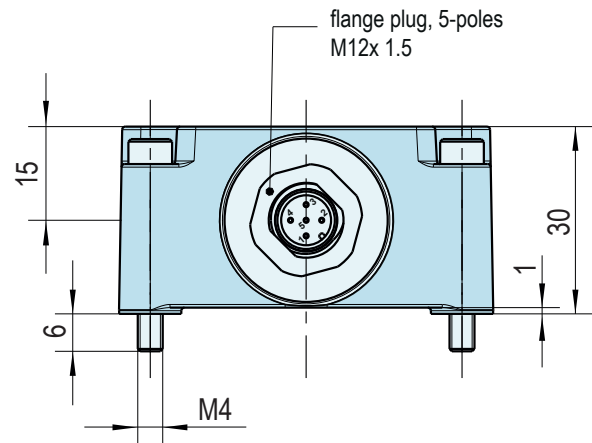
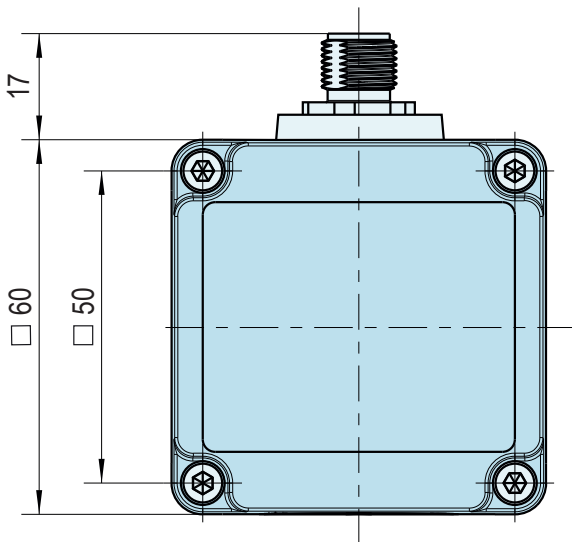
You can find more information about our inclination sensors here: fsg-sensors.de/neigungssensoren



SINGLE AXIS SENSOR PREMIUM-SERIES

PE-MEMS-X-MU-i-GS60

DIMENSIONAL DRAWINGS

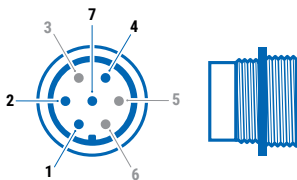


CONNECTION

MH1023-MU-Ex-IECEX

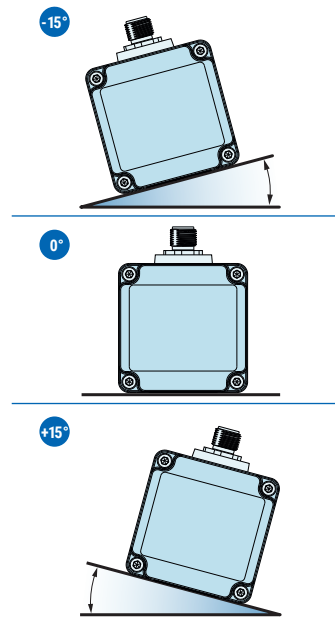
Signal output: 4-20 mA

PIN	Assignment
1	0 V DC
2	Supply 8-33 V DC
3	not connected
4	Output 4-20 mA
5	not connected
6	not connected
7	GND



MOUNTING POSITION

X-axis max. 0-360°



CONTACT

If you have any questions about this or any other FSG product, please do not hesitate to contact us.

BERLIN (HQ)
Fernsteuergeräte Kurt Oelsch GmbH
Jahnstraße 68 + 70
12347 Berlin

✉ info@fsg-sensors.de
🌐 www.fsg-sensors.de
☎ +49 30 6291-1
📠 +49 30 6291-277

© Fernsteuergeräte Kurt Oelsch GmbH
No guarantee for the correctness, completeness of the contents. The product illustration may differ from original.