

SINGLE AXIS SENSOR PREMIUM-SERIES

PE-MEMS-X-CAN-G-GS70

Electronic inclination sensor with additional gyro sensor

- Inclination sensor with additional gyro sensor for shock compensation
- Redundant measuring system for safety-relevant applications
- Robust aluminum housing with protection class up to IP68

CE – konform



TECHNICAL DATA

Measuring system	MEMS and Gyro	Signal output	CAN-Bus
Housing design	GS70	Protokoll	CANopen / CANopen-safety
Housing material	aluminium	Resolution	max 0,01° / Digit
Housing size	70 x 70 mm	Supply	9–42 V DC
Housing high	30 mm	Current consumption	<120 mA
IP code of housing up to	up to zu IP68	Temperature range	-30 °C up to +70 °C
Connection*	plug / cable	Temperature coefficient	between 0.03° / 10 K and 0.1° / 10 K
Weight	300 g	EMV*	ISO 13766-1/-2, EN 61000-6-2/-13
Data logging	acceleration and gyro sensor	Vibration*	10–1000 Hz, 4 g
Tilt angle	max. 0°–360°	Shock*	50 g, 6 ms
Angular accuracy	Beschleunigungssensor: 0.08°–0.2°. Gyrosensor: ±0.5°	Specific features:	extremely resistant to strong vibrations (<1 min)
Version	acceleration/ gyro	*Depending on customer specifications.	

Article master number 1887F13

Typical APPLICATION AREAS



Ship



Rails



Construction machine



Logistics



Medicine



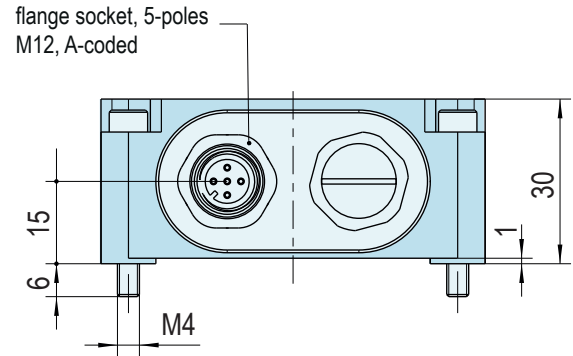
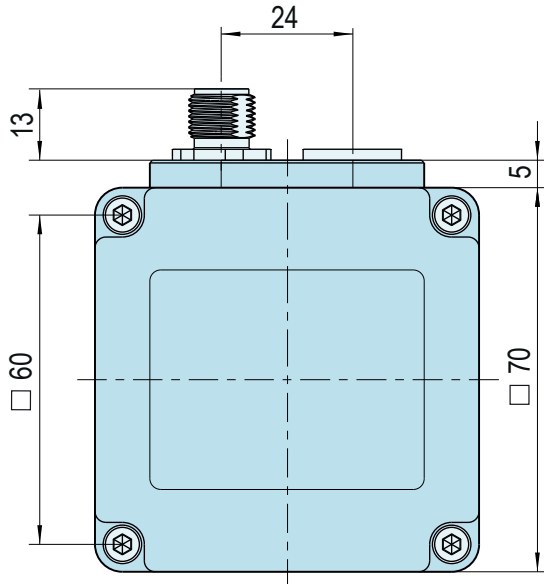
Industry

You can find more information about our inclination sensors here: fsg-sensors.de/neigungssensoren



SINGLE AXIS SENSOR PREMIUM-SERIES
PE-MEMS-X-CAN-G-GS70

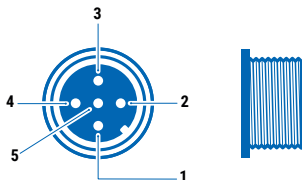
DIMENSIONAL DRAWINGS



CONNECTION

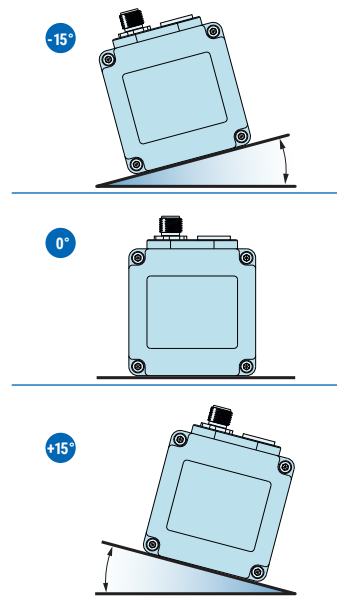
MH1023-MU-Ex-IECEX
Signal output: 4-20 mA

PIN	Assignment
1	CAN SHLD
2	24 V DC
3	GND
4	CAN High
5	CAN Low



MOUNTING POSITION

X-axis max. 0-360°



CONTACT

If you have any questions about this or any other FSG product, please do not hesitate to contact us.

BERLIN (HQ)
 Fernsteuergeräte Kurt Oelsch GmbH
 Jahnstraße 68 + 70
 12347 Berlin

info@fsg-sensors.de
 www.fsg-sensors.de
 +49 30 6291-1
 +49 30 6291-277

© Fernsteuergeräte Kurt Oelsch GmbH
 No guarantee for the correctness, completeness of the contents. The product illustration may differ from original.