

CONDUCTIVE PLASTIC SYNCHRO DESIGN

PK620-15d

Precision Potentiometer with conductive plastic resistance element

- High-resolution resistance element of conductive plastic
- Short-circuit distances and additional taps available upon request
- Resistance value and active angle can be customized as desired



TECHNICAL DATA

Housing material	aluminum, anodized
Housing diameter	50.8 mm
Model	synchro size 20
IP code	IP30
Shaft diameter	6 mm
Adjustment speed	max. 1000 U/min.
Torque	0.05 Ncm
Wiper without limit stops	yes
Multiple execution	sixfold
Bearing	ball-bearing
Connection	faston plug / solder-type terminals
Fastening	clamp fixing
Resistance element	conductive plastic
Active angle	max. 355°

Resistance values	to 10 kΩ
Resistance tolerance	± 10 %
Linearity tolerance	±1.5 % / ±0.1 % (on request)
Resolution	almost infinite
Capacity	2 W
Temperature range	-30 °C to +80 °C
Temperature coefficient	0.02 % / °C
Lifetime	typical 10–50 Mio. Cycles <i>The lifetime depends on the application and environmental conditions.</i>
Vibration*	5–200 Hz, 10 g
Shock*	50 g, 6 ms

Specific features

Additional switches, maximum of 2, fixed setting

**Depending on customer specifications.*

Article master number 1575Z12

Typical

APPLICATION AREAS



Ship



Rails



Automation



Logistics



Medicine



Industry

Optionally available

PROTECTIVE HOUSING

To protect against mechanical damage and extreme environmental conditions, as well as for necessary adaptation gears and additional switches, suitable housings are available in various designs.



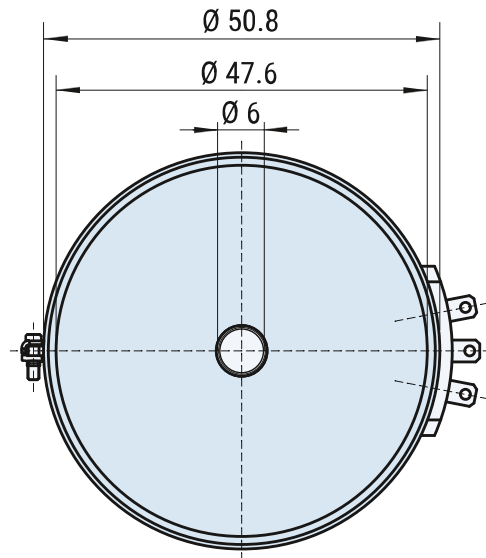
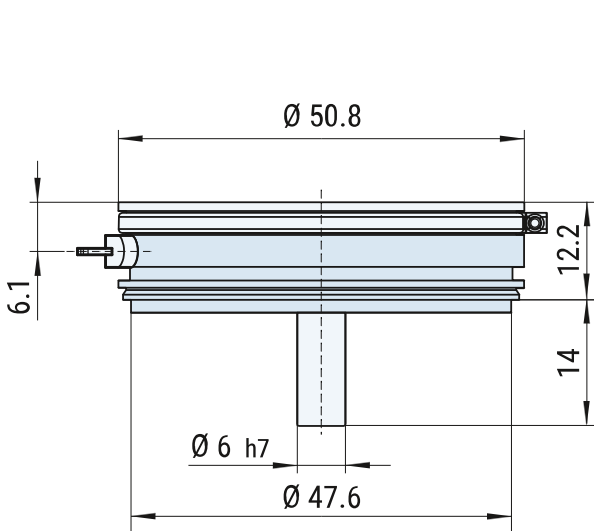
For more information on protective housings, click here: www.fsg-sensors.de



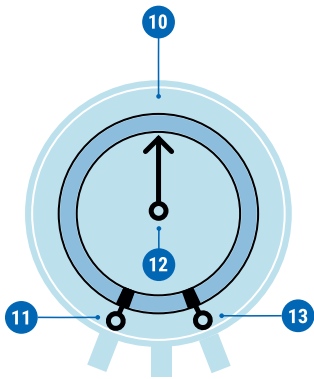
CONDUCTIVE PLASTIC SYNCHRO DESIGN

PK620-15d

DIMENSIONAL DRAWINGS



CONNECTION



Standard

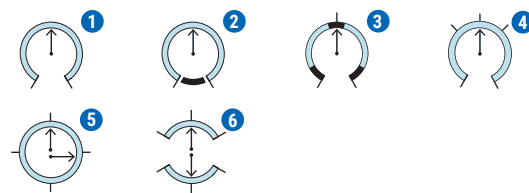
- 11 Resistance start
- 12 Wiper
- 13 Resistance end

Optional

- 10 Additional tap

CIRCUIT VARIATIONS

Wire-wound resistive elements **conductive plastic**, printed on glass fiber reinforced substrate. Maximum active angle is 355°. Smaller angles, taps, and shorted sections are available on request.



- 1 Wiper limited by stops
- 2 Wiper continues rotation over 360°
- 3 Free arrangement of shorted sections
- 4 Free arrangement of taps
- 5 Sin/cos characteristic curve
- 6 Two electrically isolated windings on a winding body, angle ≤175°

CONTACT

If you have any questions about this or any other FSG product, please do not hesitate to contact us.



BERLIN (HQ)
Fernsteuergeräte Kurt Oelsch GmbH
Jahnstraße 68 + 70
12347 Berlin

✉ info@fsg-sensors.de
🌐 www.fsg-sensors.de
📞 +49 30 6291-1
📠 +49 30 6291-277

© Fernsteuergeräte Kurt Oelsch GmbH
No guarantee for the correctness, completeness of the contents. The product illustration may differ from original.