

DUAL AXIS SENSOR PREMIUM-SERIES

# PE-MEMS-XY-2i-GS85

## Electronic inclination sensor with analog output and angle bubble

- Inclination sensor with additional gyro sensor for shock compensation
- Inclination sensor with additional angle level
- Robust aluminum housing with protection class up to IP69K

CE – konform



### TECHNICAL DATA

Measuring system	MEMS	Signal output	2x 4–20 mA per axis
Housing design	GS85	Load current	250 Ω (9–33 V), 500 Ω (18–33 V DC)
Housing material	aluminium	Resolution	10000 Digit / 16mA
Housing size	85 x 85 mm	Supply	10–33 V DC
Housing high	49 mm	Current consumption	<50 mA per channel
IP code of housing up to	up to zu IP69K	Temperature range	-30 °C up to +70 °C
Connection*	plug / cable	Temperature coefficient	0.05° / 10 K
Weight	500 g	EMV*	ISO 13766-1/-2, EN 61000-6-2/-12
Data logging	accelerometer	Vibration*	5–200 Hz, 4 g
Tilt angle	max. ±60°	Shock*	50 g, 6 ms
Angular accuracy	0.2°		
Version	single / redundant		

**Specific features:**  
accuracy of the bubble level – 0.5°

*\*Depending on customer specifications.*

**Article master number** 1892S10

### Typical APPLICATION AREAS



Ship



Rails



Construction machine



Logistics



Medicine



Industry

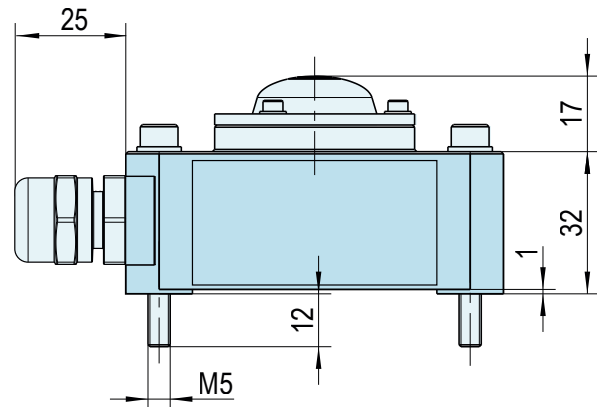
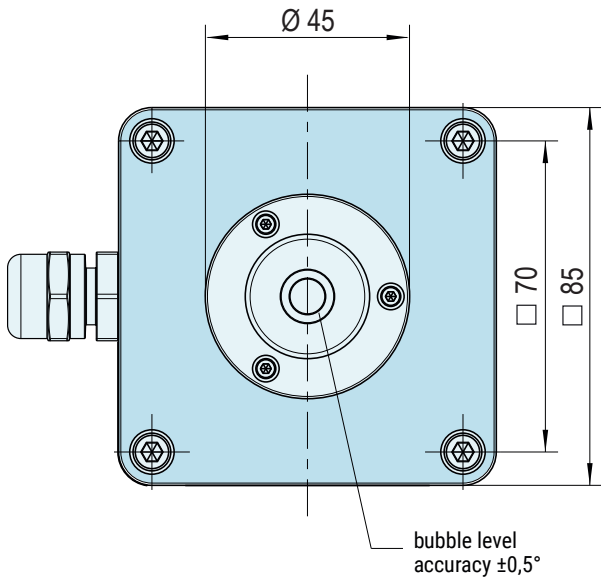
You can find more information about our inclination sensors here: [fsg-sensors.de/neigungssensoren](http://fsg-sensors.de/neigungssensoren)



DUAL AXIS SENSOR PREMIUM-SERIES

# PE-MEMS-XY-2i-GS85

## DIMENSIONAL DRAWINGS

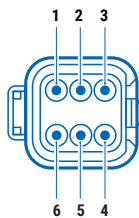


## CONNECTION

MH1023-MU-Ex-IECEX

Signal output: 4-20 mA

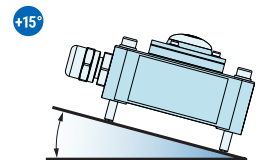
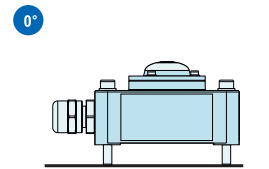
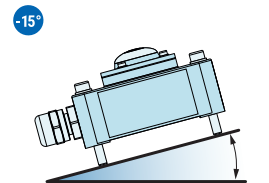
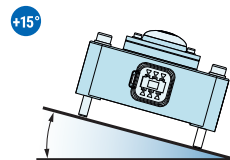
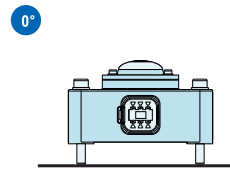
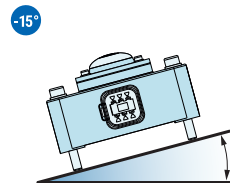
PIN	Assignment
1	Supply 18-33 V DC
2	Output 4-20 mA (X) - channel A
3	Output 4-20 mA (X) - channel B
4	Output 4-20 mA (y) - channel A
5	Output 4-20 mA (y) - channel B
6	GND



## MOUNTING POSITION

X-axis max. ±60°

Y-axis max. ±60°



## CONTACT

If you have any questions about this or any other FSG product, please do not hesitate to contact us.

**BERLIN (HQ)**  
Fernsteuergeräte Kurt Oelsch GmbH  
Jahnstraße 68 + 70  
12347 Berlin

✉ info@fsg-sensors.de  
🌐 www.fsg-sensors.de  
☎ +49 30 6291-1  
📠 +49 30 6291-277

© Fernsteuergeräte Kurt Oelsch GmbH  
No guarantee for the correctness, completeness of the contents. The product illustration may differ from original.